

HUILIDE 汇利得



苏州汇利得机械有限公司

地址：苏州市相城区北桥街道北灵路555号 邮编：215144

电话：+86-0512-80813856 传真：+86-0512 80813855

手机：+86-150 0613 9272 邮箱：david.su@hldmachine.com

邮编：215144 网址：www.hldmachine.com

David Su

Suzhou Huilide Machine Co.,Ltd.

Add: No.555,Beiling Rd.,Beiqiao Suzhou, Jiangsu, China,215144

Tel: +86-0512-80813856 Fax: +86-512 80813855

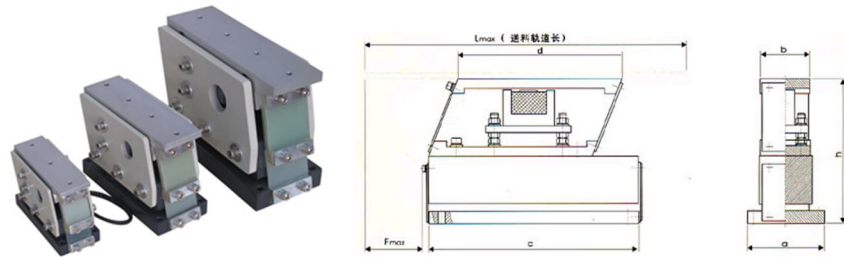
Mobile : +86-150 0613 9272

E-mail: david.su@hldmachine.com

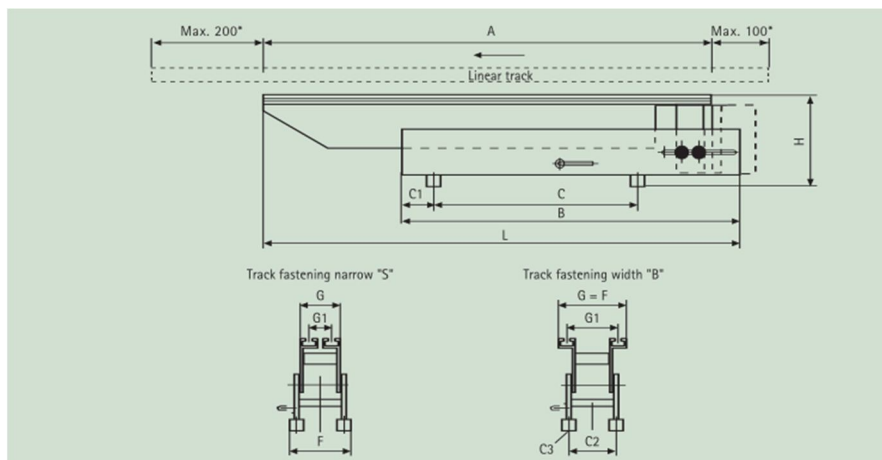
Web:www.hldmachine.com

Linear Drives

As parts discharge from a vibratory bowl feeder, it is important to maintain feed rate as parts convey horizontally to their next processing point. Likewise, as parts feed from the discharge end of the linear track, it is critical to have controlled vibration so that a smooth transition occurs and any whipping motion in the track is eliminated. To control these factors, we designed and developed our vibratory mount linear drive. These units are exceptionally stable, assuring precise track alignment and consistent part positioning. The design of the Linear Drive provides ample power to handle a wide range of linear tracks. Tuning is made simple due to the substantial base weight relative to the weight of the conveying track.



Model	L_{\max} (mm)	a(mm)	b(mm)	c(mm)	d(mm)	h(mm)	f_{\max} (mm)	stroke(mm)
LD-01	300	35	30	140	115	85	100	0.1
LD-02	450	100	60	152	124	150	160	0.2
LD-03	550	100	60	270	210	170	200	0.3
LD-04	900	150	75	480	550	270	250	0.3



In addition to the advantages of the adjustable spring angles, the flexible fastening and the inter-changeable tracks, the series LD-600 and LD-1000 feature an increased track length which ranges from 400 –3000 mm. Extra spring packs and / or magnets are also available for special applications.

Model	LD-400	LD-600	LD-800	LD-1000
A = Vibrator top length	400	600	800	1000
B = Length of counter mass	300	440	640	790
C = Fastening measure	200	300	450	500
C1 =	10	50	100	200
C2 =	60	60	60	60
C3 =	M4 / 4 deep	M4 / 4 deep	M4 / 4 deep	M4
F = Total width (s/b)	75/84	75/84	75/84	75/84
G = Vibrator top width (s/b)	66/84	66/84	66/84	66/84
G1= Alternate fixing position	30/64	30/64	30/64	30/64
H = Total height	103	103	103	103
L = Total length	430	630	830	1030
Weight of the linear feeder drive unit	6,5 kg	8 kg	10 kg	12,5 kg
Max. load of the linear (Including Components)	5 kg	6 kg	7 kg	8 kg
Max. track length	700	900	1.100	1.300
Current input	0.55 (A)	0.55 (A)	0.55 (A)	0.55 (A)

For adjustment additional spring assemblies are enclosed

For track mounting every 100 mm two sliding blocks M5 are made available

The difference between track length and vibrator top length should be mounted to a ratio of: 1/3 infeed side 2/3 discharge side

Voltage 200V/50 Hz. Available with special voltages 110V/220V and frequencies 50Hz/60Hz